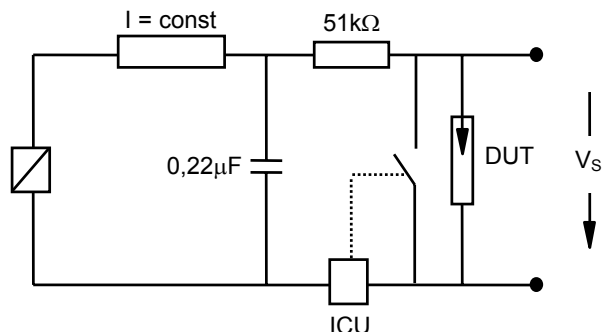


Nominal breakdown voltage V_N	2000	V
Initial values ²⁾ Static breakdown voltage V_S ¹⁾ First ignition value $V_{S, FTE}$ after 24 hours in darkness Following ignition values $V_{S, FIV}$	 ≤ 2600 1600 ... 2400	 V V
General technical data Insulation resistance at 100 V Early ignition values 1000 ... 1600 V Breakdown time Weight	 > 100 ≤ 3 ≤ 50 ~ 2	 $M\Omega$ % ns g
Marking, red	EPCOS 2000 YY O 2000 - Nominal voltage YY - Year of production O - Non radioactive	

¹⁾ At delivery AQL 0,65 level II, DIN ISO 2859

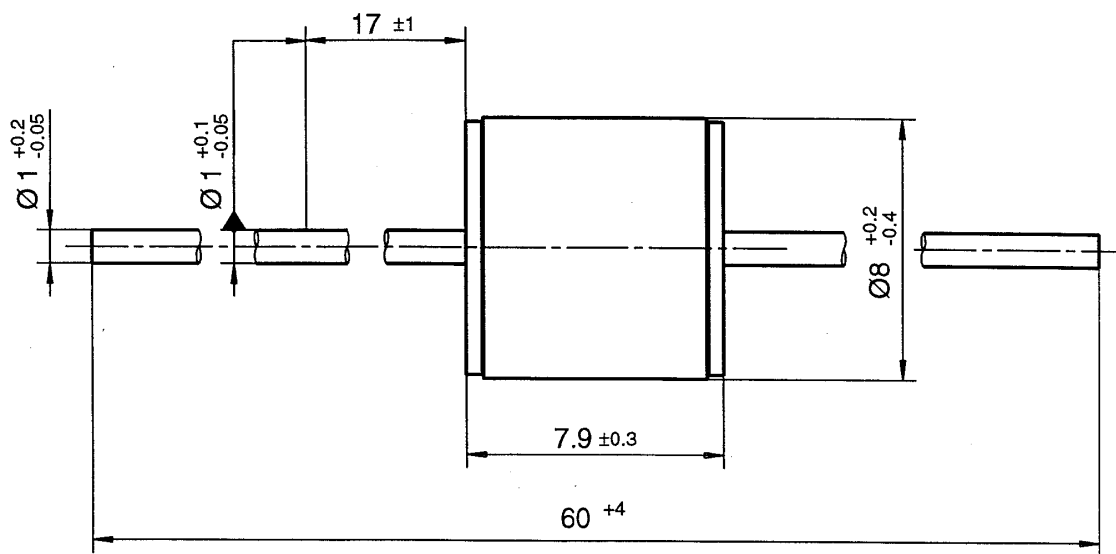
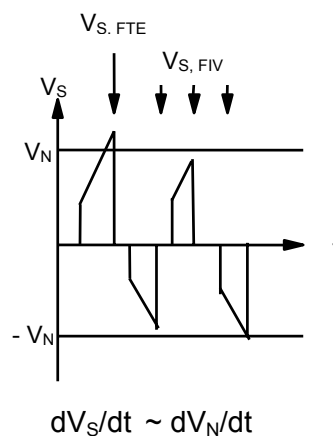
²⁾ Page 2, Fig. 1 and 2

Fig. 1: QC- test circuit (100% outgoing inspection)



DUT device under test
 ICU ignition control unit (sensitivity 10 .. 30 μA)
 Discharge current 10 – 20 mA

Fig. 2: Explanation of measurands



Not to scale

Dimensions in mm

Non controlled document

© EPCOS AG 2002. Reproduction, publication and dissemination of this data sheet, enclosures hereto and the information contained therein without EPCOS' prior express consent is prohibited.

Purchase orders are subject to the General Conditions for the Supply of Products and Services of the Electrical and Electronics Industry recommended by the ZVEI (German Electrical and Electronic Manufacturers' Association), unless otherwise agreed.